

# Lightology

lightology.com  
866-954-4489  
04-22-26

Project: \_\_\_\_\_  
 Company: \_\_\_\_\_  
 Location: \_\_\_\_\_ Fixture Type: \_\_\_\_\_  
 SPEC #: **HMR578583**  
 Approved On: \_\_\_\_\_ Approved By: \_\_\_\_\_

## Terra Hanging Wall Sconce By Hammerton Studio



### Description

The Terra Hanging Wall Sconce is expertly crafted by artisans, the optic blown glass shade creates a magical dance of light and color, particularly when paired with a clear or vintage bulb. Available with an Optic Clear, Optic Bronze, Optic Amber or Optic Smoke glass shade with a Flat Bronze, Gilded Brass, Metallic Beige Silver or Matte Black finish. UL listed. Made in the USA.

### Specifications

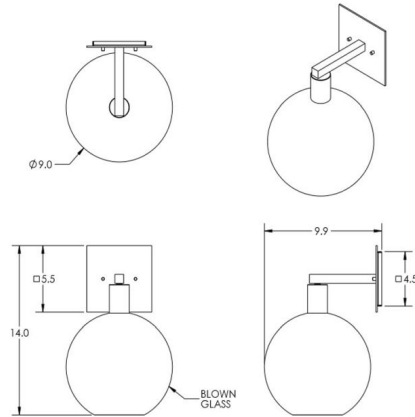
COLOR	Optic Clear
BODY FINISH	Flat Bronze
WATTAGE	29W
DIMMER	Standard 120V
DIMENSIONS	9"W x 14"H x 9.9"D
BULB NOT INCLUDED	1 x A19/Medium (E26)/29W/120V Incandescent
OTHER BULB OPTIONS	1 x A19/Medium (E26)/120V Incandescent 1 x A19/Medium (E26)/120V LED 1 x Edison/Medium (E26)/120V LED
COUNTRY OF ORIGIN	United States

### Technical Information

PRODUCT DIMENSIONS	Backplate: 4.5" Sq.
--------------------	---------------------



Shown in flat bronze / optic clear



CLICK TO VIEW PRODUCT

Notes: