

Lightology

lightology.com
866-954-4489
04-27-26

Project: _____

Company: _____

Location: _____ Fixture Type: _____

SPEC #: **NIL583318**

Approved On: _____ Approved By: _____

Projecteur Clip-On Light

By Nemo



Description

The Projecteur Clip-On Light was inspired by the fixtures Le Corbusier designed for India's Chandigarh High Court in 1954. The aluminum body is paired with a rounded, sandblasted glass diffuser that is fastened to the body with locking clips. The body is mounted on an adjustable frame with a clamp that can be tilted and rotated to aim the light beam. On/off switch located on cord.

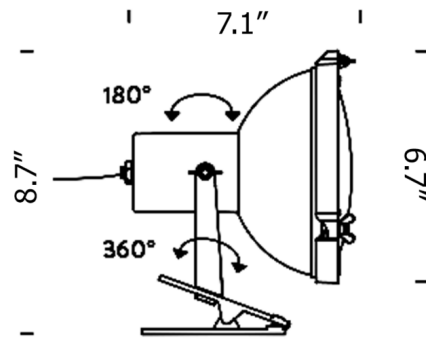
Specifications

COLOR	White Sand
BODY FINISH	Matte Black
WATTAGE	23W
DIMMER	N/A
DIMENSIONS	6.7"W x 7.1"H x 8.7"D
BULB NOT INCLUDED	1 x A19/Medium (E26)/23W/120V Incandescent
OTHER BULB OPTIONS	1 x A19/Medium (E26)/120V LED

Notes:



Shown in matte black / white sand



CLICK TO VIEW PRODUCT