

Lightology

lightology.com
866-954-4489
04-24-26

Project: _____

Company: _____

Location: _____ Fixture Type: _____

SPEC #: **MAN583456**

Approved On: _____ Approved By: _____

Bob Wall Light

By Michael Anastassiades

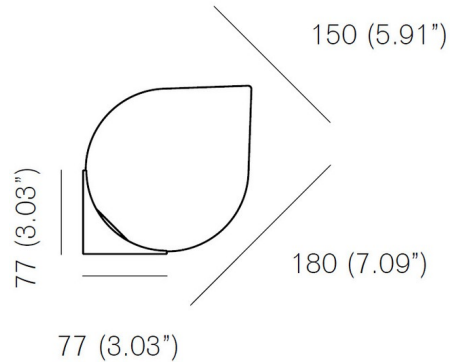


Description

Bob is an inverted teardrop, resembling a weight suspended from a string, which is often used as a vertical reference line; a tool for building and measurements. Can be installed pointing upward or down. Includes a paintable junction box cover which will cover standard 4 inch junction boxes. The j-box cover extends beyond the fixture and will be visible.



Shown in brass / opal



Specifications

COLOR	Opal
BODY FINISH	Brass
WATTAGE	3.5W
DIMMER	Standard 120V
DIMENSIONS	5.9"W x 6.2"H x 6.2"D
BULB INCLUDED	1 x JCD/G9/3.5W/120V LED

Technical Information

LAMP COLOR	2700K
LUMENS/WATT	94.29
LUMINOUS FLUX	330 lumens



CLICK TO VIEW PRODUCT

Notes: