



**BRAND**

Eurofase

**DESCRIPTION**

The Trent Wall Light offers a touch of sophistication, featuring a dual glass shade with an outer Clear glass shade and inner textured Crystal glass shade placed in a Chrome finished backplate. ETL listed.



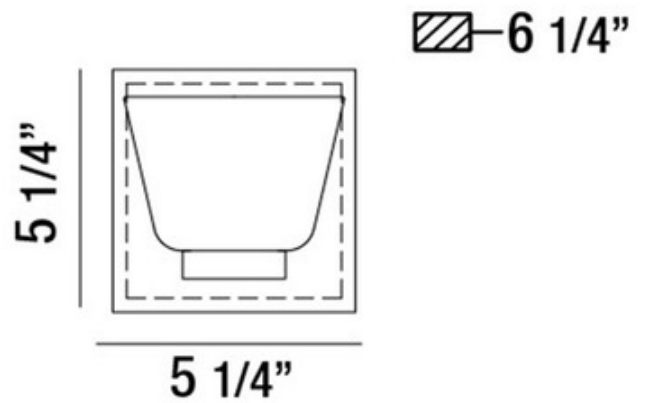
*Shown in: Chrome / Clear*

<b>SHADE COLOR</b>	Clear
<b>BODY FINISH</b>	Chrome
<b>LAMP</b>	1 x LED/7W/120V LED
<b>WATTAGE</b>	7W
<b>DIMMER</b>	Dimmable
<b>DIMENSIONS</b>	5.25"W x 5.25"H x 6.25"D

*Technical Information*

<b>LUMINOUS FLUX</b>	750 lumens
<b>LUMENS/WATT</b>	107.14
<b>LAMP COLOR</b>	3000 K
<b>COLOR RENDERING</b>	80 CRI

**PRODUCT NUMBER** EUF586172



COMPANY

PROJECT

FIXTURE TYPE

APPROVED BY

DATE

---