



**BRAND**

Bruck

**DESCRIPTION**

The Q1 Semi Recessed Wall Light offers one point of light, featuring a Matte Chrome finished housing that may be mounted as up or down light. Note: Requires .18-1.06 inch material thickness and 2.25 inch hole cut out for mounting. Junction box and LED driver included.

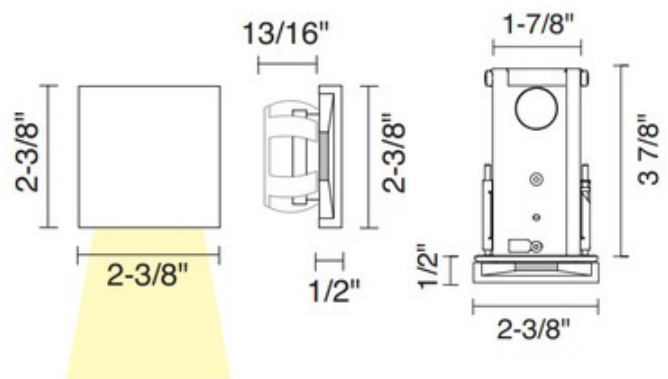


<b>SHADE COLOR</b>	N/A
<b>BODY FINISH</b>	Matte Chrome
<b>WATTAGE</b>	3.7W
<b>DIMMER</b>	Standard 120V
<b>DIMENSIONS</b>	2.37"W x 2.37"H x 0.5"D
<b>INTEGRATED LED MODULE</b>	
<b>LAMP</b>	1 x LED/3.7W/120V LED

*Technical Information*

<b>LUMINOUS FLUX</b>	42 lumens
<b>LUMENS/WATT</b>	11.35
<b>LAMP COLOR</b>	3000K
<b>COLOR RENDERING</b>	80 CRI

**SPEC #** BRC587995



COMPANY	PROJECT	FIXTURE TYPE	APPROVED BY	DATE