



BRAND

WAC Lighting

DESCRIPTION

Aether 3.5 Inch Square Downlight Trim features die-cast aluminum construction available with a powder-coated White trim with a White, Haze, or Black reflector, or all Brushed Nickel finish. Integrated 15.5 watt universal input voltage (120-277V) LED module. Dimmable to 0% with 0-10V dimmers (120 & 277V) or to 10% with low-voltage electronic dimmers (120V only). Choice of 85 or 90 CRI and 2700K, 3000K, 3500K, and 4000K color temperature. 35 degree cut-off angle for downlight. 3.5 inch trim aperture and housing height. Accommodates ceiling thickness of 0.5-1.5 inches. 5 year WAC Lighting warranty. ETL listed for wet locations. Title 24 Compliant. A complete fixture includes a housing and trim, sold separately. Note: 90CRI option is only available in 2700K and 3000K.

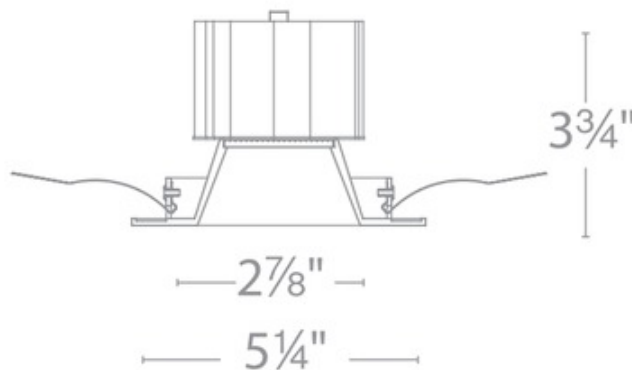


Shown in: White / Haze Reflector

TRIM COLOR	N/A
BODY FINISH	White / Haze Reflector
WATTAGE	15.5W
DIMMER	Low Voltage Electronic
DIMENSIONS	5.25"W x 3.75"H
INTEGRATED LED MODULE	
LAMP	1 x LED/15.5W/120V LED

Technical Information

LUMINOUS FLUX	1190 lumens
LUMENS/WATT	76.77
LAMP COLOR	2700K
COLOR RENDERING	85 CRI
BEAM ANGLE	25°
LAMP LIFE	50000 hours
FUNCTION	Downlight
CEILING TYPE	Drywall with Trim
APERTURE SHAPE	Square
SPEC #	WAC589992



COMPANY

PROJECT

FIXTURE TYPE

APPROVED BY

DATE
