



BRAND

Tech Lighting

DESCRIPTION

The Sedona Pendant creates a dramatic statement, particularly when installed with varying sizes within the collection. Available in two sizes. Small available in Clear or Transparent Smoke. Large available in Clear, Transparent Smoke or White. Each glass orb is perfectly spherical and smooth on the exterior surface while the interior surface features gradually thickening bands of glass artfully crafted. Finish in Aged Brass or Satin Nickel. Available with incandescent (lamp sold separately) and LED (lamp included) lamp options. Provided with six feet of field-cuttable black cloth cord and round ceiling mount canopy. ETL listed. Suitable for damp locations. LED dimmable with most LED compatible electronic low voltage (ELV) or Triac dimmers, sold separately.



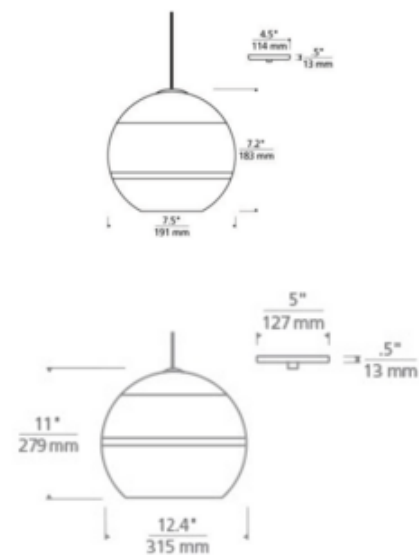
Shown in: Satin Nickel / Clear

SHADE COLOR	Clear
BODY FINISH	Satin Nickel
LAMP	1 x A19/Medium (E26)/60W/120V Incandescent
WATTAGE	60W
DIMMER	Incandescent
DIMENSIONS	7.5"W x 7.2"H

Technical Information

APERTURE SIZE	0.000"
PRODUCT DIMENSIONS	Cord Length: 72"

PRODUCT NUMBER	TLG604218
-----------------------	-----------



COMPANY	PROJECT	FIXTURE TYPE	APPROVED BY	DATE