



BRAND

Et2

DESCRIPTION

The Dimple Chandelier is a large scale pendant finished in Matte Black and diffused through White acrylic and dimpled at the center with a Polished Chrome finial. Available in two sizes. Suitable for damp locations. ETL listed.

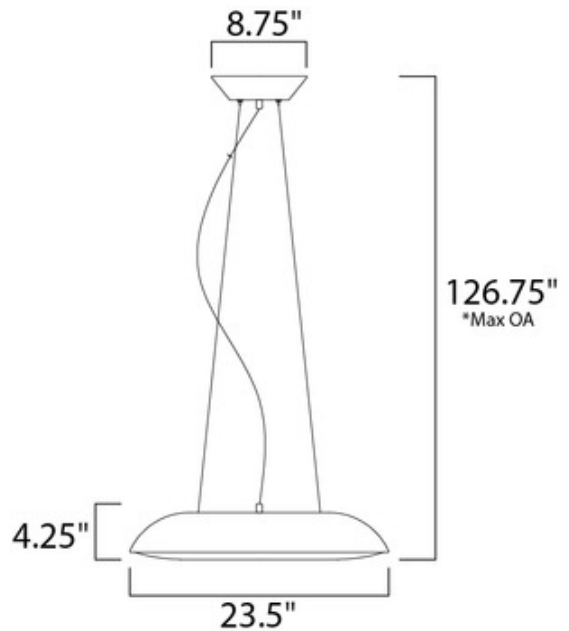


SHADE COLOR	Polished Chrome
BODY FINISH	Matte Black
WATTAGE	43W
DIMMER	Dimmable
DIMENSIONS	126.75"L x 23.5"W x 4.25"H
INTEGRATED LED MODULE	
LAMP	1 x LED/43W/120V LED

Technical Information

LUMINOUS FLUX	3010 lumens
LUMENS/WATT	70.00
LAMP COLOR	3000K
COLOR RENDERING	80 CRI

SPEC # ET2609910



*max overall height

COMPANY	PROJECT	FIXTURE TYPE	APPROVED BY	DATE