

# Lightology

lightology.com  
866-954-4489  
07-10-26

Project: \_\_\_\_\_

Company: \_\_\_\_\_

Location: \_\_\_\_\_ Fixture Type: \_\_\_\_\_

SPEC #: **LPL613256**

Approved On: \_\_\_\_\_ Approved By: \_\_\_\_\_

## PH 5 Pendant By Louis Poulsen

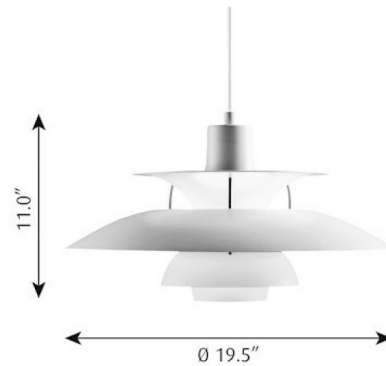


### Description

The PH5 Pendant is designed based on the principle of a reflective three shade system, which directs the majority of the light downwards. The shades give a soft light distribution, perfect in your room.



Shown in white / hues of rose



### Specifications

COLOR	Hues of Rose
BODY FINISH	White
WATTAGE	22W
DIMMER	Standard 120V
DIMENSIONS	19.5"W x 10.5"H
BULB NOT INCLUDED	1 x A21/Medium (E26)/22W/120V LED



CLICK TO VIEW PRODUCT

Notes: