

Lightology

lightology.com
866-954-4489
05-31-26

Project: _____

Company: _____

Location: _____ Fixture Type: _____

SPEC #: **LPL613258**

Approved On: _____ Approved By: _____

PH 5 Pendant By Louis Poulsen

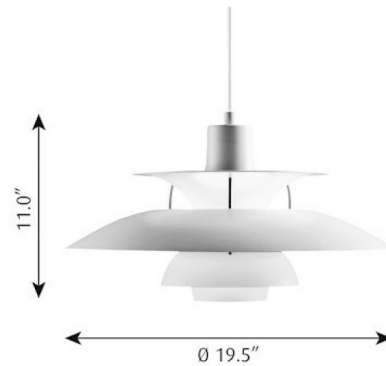


Description

The PH5 Pendant is designed based on the principle of a reflective three shade system, which directs the majority of the light downwards. The shades give a soft light distribution, perfect in your room.



Shown in white / modern white



Specifications

COLOR Modern White
BODY FINISH White
WATTAGE 22W
DIMMER Standard 120V
DIMENSIONS 19.5"W x 10.5"H
BULB NOT INCLUDED 1 x A21/Medium (E26)/22W/120V LED



CLICK TO VIEW PRODUCT

Notes: