

# Lightology

lightology.com  
866-954-4489  
04-04-26

Project: \_\_\_\_\_

Company: \_\_\_\_\_

Location: \_\_\_\_\_ Fixture Type: \_\_\_\_\_

SPEC #: **LPL613259**

Approved On: \_\_\_\_\_ Approved By: \_\_\_\_\_

## PH 5 Pendant By Louis Poulsen

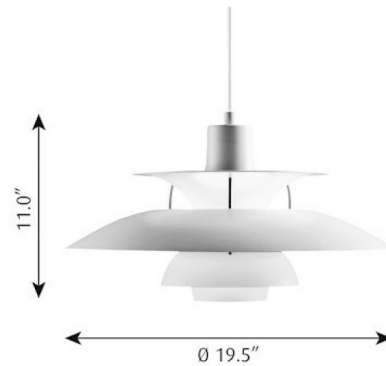


### Description

The PH5 Pendant is designed based on the principle of a reflective three shade system, which directs the majority of the light downwards. The shades give a soft light distribution, perfect in your room.



Shown in white / classic white



### Specifications

COLOR . . . . . Classic White  
BODY FINISH . . . . . White  
WATTAGE . . . . . 22W  
DIMMER . . . . . Standard 120V  
DIMENSIONS . . . . . 19.5"W x 10.5"H  
BULB NOT INCLUDED . . . . . 1 x A21/Medium (E26)/22W/120V LED

### Technical Information

PRODUCT DIMENSIONS . . . . . Adjustable Cable Length: 144"



CLICK TO VIEW PRODUCT

Notes: