

BRAND

EOQ

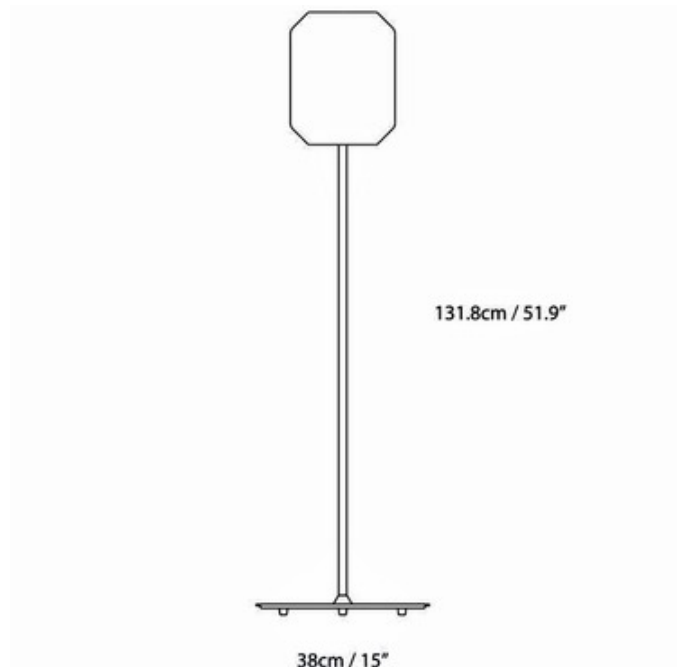
DESCRIPTION

The Joseph Floor Lamp is crafted from a solid block of aluminium. Each piece is extruded into shape, softened with CNC cutting before being milled on a lathe to open up the core and allow the light to diffuse through the fins. Available in Copper, Grey or Pale Gold finish.



SHADE COLOR	N/A
BODY FINISH	Copper
WATTAGE	72W
DIMMER	Included
DIMENSIONS	14.961"W x 51.89"H
BULB NOT INCLUDED	
LAMP	1 x A19/Medium (E26)/72W/120V Incandescent 1 x A19/Medium (E26)/120V LED

SPEC # EOQ613933



COMPANY	PROJECT	FIXTURE TYPE	APPROVED BY	DATE