



BRAND

EOQ

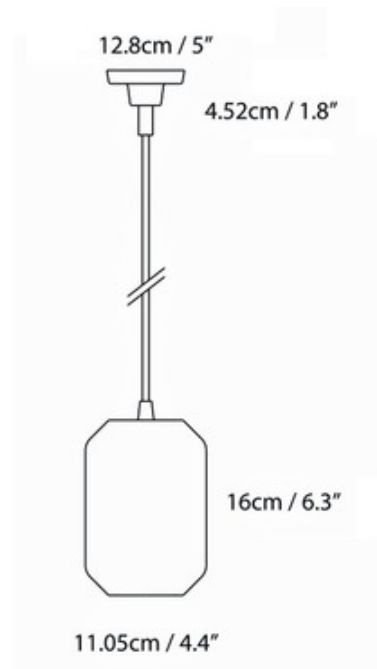
DESCRIPTION

The Joseph Pendant is crafted from a solid block of aluminium. Each piece is extruded into shape, softened with CNC cutting before being milled on a lathe to open up the core and allow the light to diffuse through the fins. Available in Copper, Grey or Pale Gold. ETL Listed.



SHADE COLOR	N/A
BODY FINISH	Pale Gold
WATTAGE	25W
DIMMER	Standard 120V
DIMENSIONS	157.5"L x 4.35"W x 6.299"H
BULB NOT INCLUDED	
LAMP	1 x JCD/G9/25W/120V Halogen 1 x JCD/G9/120V LED

SPEC # EOQ613938



COMPANY	PROJECT	FIXTURE TYPE	APPROVED BY	DATE