



BRAND Element by Tech Lighting

DESCRIPTION

3 Inch Round Flangeless Fixed 18 Degree LED Ultra Shallow Downlight IC or Non-IC AirTight New Construction Housing. IC designation allows for direct contact with insulation. Non-IC designation requires that insulation be kept a minimum of 3 inches away from housing. Suitable for ceiling thickness Supplied with LED module in four color temperatures including Warm Dim (3000K-1800K), 90CRI. Available with 18, 25 or 40 degree beam angle options. Dimmable with a low voltage electronic dimmer, sold separately. Includes integral junction box approved for branch circuit through wiring. 3 7/8 inch ceiling opening. 90CRI can be used to comply with CEC 2016 Title 24 Part 6. ETL listed. Suitable for damp locations. Suitable for wet locations with shower trim. 17.5 inch width x 11.5 inch depth x 2 inch height. 5 year warranty. Requires Element Lighting 3 inch round flangeless trim, sold separately.



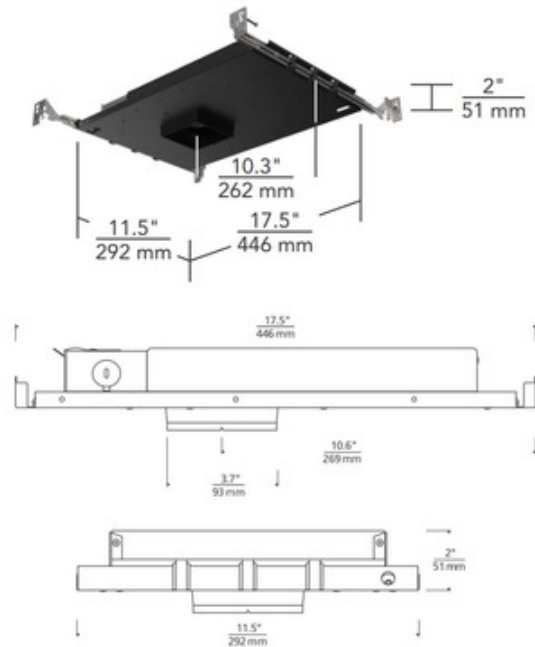
Shown in: Black

TRIM COLOR	N/A
BODY FINISH	Black
LAMP	1 x LED/18W/120V LED
WATTAGE	18W
DIMMER	Low Voltage Electronic
DIMENSIONS	17.5"W x 2"H x 11.5"D

Technical Information

LUMINOUS FLUX	1476 lumens
LUMENS/WATT	82.00
LAMP COLOR	2700 K
COLOR RENDERING	90 CRI
BEAM ANGLE	18°
LAMP LIFE	50000 hours
CEILING TYPE	Drywall Trimless/Flush
HOUSING TYPE	New construction NON IC Airtight
HOUSING HEIGHT	3"

PRODUCT NUMBER ELE614163



COMPANY	PROJECT	FIXTURE TYPE	APPROVED BY	DATE