



**BRAND** Visual Comfort Architectural

**DESCRIPTION**

3 Inch Round 90CRI Flangeless Fixed Ultra Shallow Downlight IC AirTight New Construction Housing for use with 3 inch round flangeless trims. Supplied with LED module in three color temperature options and Warm Dim (3000K-1800K). Available with 18, 25 or 40 degree beam angle options. 3 7/8 inch ceiling cutout. Suitable for wet locations with shower trim. Includes a 120-277V Universal driver dimmable with standard reverse-phase, forward-phase, TRIAC, and 0-10V dimming. Note: A complete fixture requires a housing and flangeless trim, sold separately.

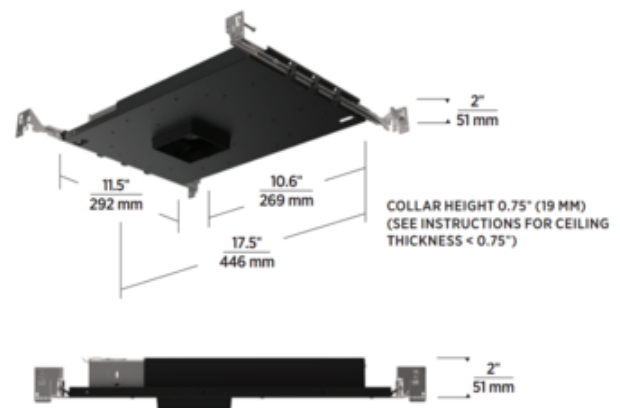


Shown in: Black

<b>TRIM COLOR</b>	N/A
<b>BODY FINISH</b>	Black
<b>WATTAGE</b>	17W
<b>DIMMER</b>	Low Voltage Electronic
<b>DIMENSIONS</b>	17.5"W x 2"H x 11.5"D
<b>INTEGRATED LED MODULE</b>	
<b>LAMP</b>	1 x LED/17W/120-277V LED

*Technical Information*

<b>LUMINOUS FLUX</b>	1450 lumens
<b>LUMENS/WATT</b>	85.29
<b>LAMP COLOR</b>	2700K
<b>COLOR RENDERING</b>	90 CRI
<b>BEAM ANGLE</b>	40°
<b>LAMP LIFE</b>	50000 hours
<b>FUNCTION</b>	Downlight
<b>CEILING TYPE</b>	Drywall Trimless/Flush
<b>HOUSING TYPE</b>	New construction IC Airtight
<b>SPEC #</b>	ELE614167



COMPANY	PROJECT	FIXTURE TYPE	APPROVED BY	DATE