

Lightology

lightology.com
866-954-4489
05-17-26

Project: _____
 Company: _____
 Location: _____ Fixture Type: _____
 SPEC #: **ELE614274**
 Approved On: _____ Approved By: _____

Element 3IN SQ Flanged Downlight Ultra-Shallow Housing By Visual Comfort Architectural



Description

The 3 Inch Square 90CRI Fixed Downlight Ultra Shallow IC Airtight or Chicago Plenum New Construction Housing is designed for use with square flanged trims. Features an integral 12 watt or 17 watt LED module in 2700K, 3000K or 3500K color temperature options or Warm Dim (3000K-1800K) with 18, 25, 40 or 60 degree beam angle options. 3 7/8 inch ceiling cutout. Suitable for damp locations. Suitable for wet locations with shower trim. Includes a 120-277V Universal driver dimmable with standard reverse-phase, forward-phase, TRIAC, and 0-10V dimming Note: A complete fixture requires a housing and trim, sold separately

Specifications

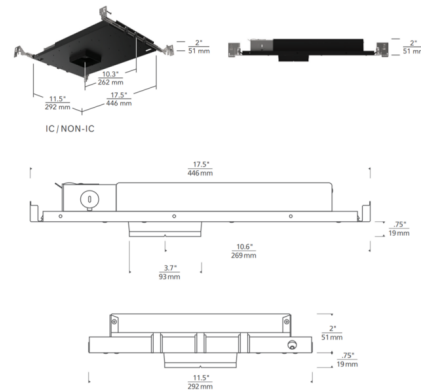
REFLECTOR/BAFFLE COLOR	N/A
BODY FINISH	Black
WATTAGE	16W
DIMMER	Low Voltage Electronic
DIMENSIONS	17.5"W x 2"H x 11.5"D
INTEGRATED LED MODULE	1 x LED/16W/120-277V LED

Technical Information

APERTURE SHAPE	Square
HOUSING HEIGHT	2"
HOUSING TYPE	New construction IC Airtight
CEILING TYPE	Drywall with Trim
FUNCTION	Downlight
LAMP LIFE	50000 hours
BEAM ANGLE	18°
COLOR RENDERING	90 CRI
LAMP COLOR	2700K
LUMENS/WATT	90.00
LUMINOUS FLUX	1440 lumens



Shown in black



CLICK TO VIEW PRODUCT

Notes: