



**BRAND** Visual Comfort Architectural

**DESCRIPTION**

3 Inch Square 90CRI Fixed Downlight IC AirTight New Construction or Chicago Plenum Housing for Wood Ceilings. Ships with an adjustable trim adapter that inserts into the housing aperture and allows standard flangeless trims to achieve a truly flangeless, flush ceiling appearance. Includes LED module with 2700K, 3000K, 3500K, or Warm Dim (3000K-1800K) color temperature and 18, 25 or 40 degree beam angle options. 3 7/8 inch ceiling opening. Suitable for damp locations. Suitable for wet locations with shower trim. Includes a 120-277V Universal driver dimmable with standard reverse-phase, forward-phase, TRIAC, and 0-10V dimming. Note: A complete fixture requires a housing and trim, sold separately.

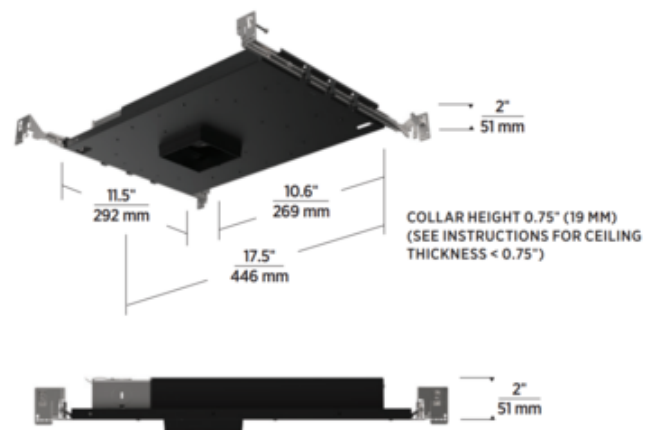


Shown in: Black

<b>TRIM COLOR</b>	N/A
<b>BODY FINISH</b>	Black
<b>WATTAGE</b>	17W
<b>DIMMER</b>	Low Voltage Electronic
<b>DIMENSIONS</b>	17.5"W x 2"H x 11.5"D
<b>INTEGRATED LED MODULE</b>	
<b>LAMP</b>	1 x LED/17W/120-277V LED

*Technical Information*

<b>LUMINOUS FLUX</b>	1450 lumens
<b>LUMENS/WATT</b>	85.29
<b>LAMP COLOR</b>	2700K
<b>COLOR RENDERING</b>	90 CRI
<b>BEAM ANGLE</b>	40°
<b>LAMP LIFE</b>	50000 hours
<b>FUNCTION</b>	Downlight
<b>CEILING TYPE</b>	Wood
<b>HOUSING TYPE</b>	New construction IC Airtight
<b>SPEC #</b>	ELE614302



COMPANY	PROJECT	FIXTURE TYPE	APPROVED BY	DATE