

# Lightology

lightology.com  
866-954-4489  
05-18-26

Project: \_\_\_\_\_  
 Company: \_\_\_\_\_  
 Location: \_\_\_\_\_ Fixture Type: \_\_\_\_\_  
 SPEC #: **ELE614322**  
 Approved On: \_\_\_\_\_ Approved By: \_\_\_\_\_

## Element 2 inch RD Flangeless Adjustable Remodel Non-IC Housing

By Visual Comfort Architectural



### Description

2 Inch Round Flangeless Adjustable Downlight and Wall Wash Non-IC Remodel Housing. Non-IC designation requires that insulation be kept a minimum of 3 inches away from housing. Housing features an integral 12 watt (average 930 lumens) or 17 watt (average 1250 lumens) LED module in three color temperature options with 20, 30, 40 or 60 degree beam angle, or Warm Dim (3000K to 1800K) in low output (12 watt/average 850 lumens) and 20, 30, 40 or 60 degree beam angle. 30 degree optimal for wall wash use. Adjust to 15 degree tilt for wall wash application. Features 0-45 degree tilt, 361 degree rotation, and high-low lamp positioning. Suitable for ceiling thickness up to 2 inches. 2.75 inch ceiling opening. ETL listed. Suitable for damp locations. Suitable for wet locations with shower trim. 5 year warranty. A complete fixture includes a housing and trim sold separately. NOTE: WARM DIM OPTION AVAILABLE IN LOW OUTPUT (12 WATT) ONLY.

### Specifications

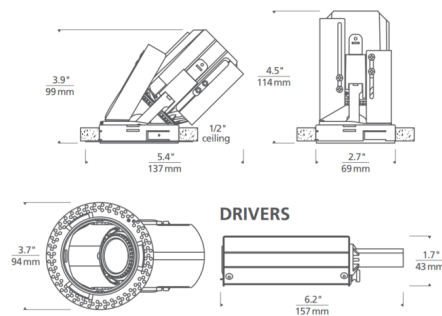
REFLECTOR/BAFFLE COLOR	N/A
BODY FINISH	Black
WATTAGE	17W
DIMMER	Low Voltage Electronic
DIMENSIONS	2.7"W x 4.5"H
INTEGRATED LED MODULE	1 x LED/17W/120V LED

### Technical Information

APERTURE SIZE	2.000"
APERTURE SHAPE	Round
HOUSING HEIGHT	5"
HOUSING TYPE	Remodel NON IC
CEILING TYPE	Drywall Trimless/Flush
LAMP LIFE	50000 hours
BEAM ANGLE	20°
COLOR RENDERING	90 CRI
LAMP COLOR	2700K
LUMENS/WATT	73.65
LUMINOUS FLUX	1252 lumens



Shown in black



CLICK TO VIEW PRODUCT

Notes: