



BRAND Visual Comfort Architectural

DESCRIPTION

The 2 Inch Round Flanged Adjustable Downlight and Wall Wash IC Airtight New Construction Housing is constructed of heavy gauge cold rolled steel with a durable Black powder coat finish. IC designation allows insulation to be in direct contact with housing. This specification grade housing features an integral 12 watt (average 930 lumens) or 17 watt (average 1250 lumens) LED module in three color temperature options with 20, 30, 40 or 60 degree beam angle, or Warm Dim (3000K to 1800K) in low output 12 watt (average 850 lumens) and 20, 30, 40 or 60 degree beam angle. Lockable hot-aiming 0-40 degree tilt, 361 degree rotation, high-low positioning, and 45 degree collar rotation. 2.75 inch ceiling cutout, suitable for ceilings up to 2 inch thick. ETL listed. Suitable for damp locations. Title 24 compliant. Rated for wet locations when used with shower trim. 5 year warranty. Dimmable down to 5 percent with an electronic low voltage (ELV) or 1 percent with a 0-10V dimmer, sold separately. A complete fixture consists of a housing and trim, sold separately. NOTE: WARM DIM OPTION AVAILABLE IN LOW OUTPUT 12 WATT ONLY.

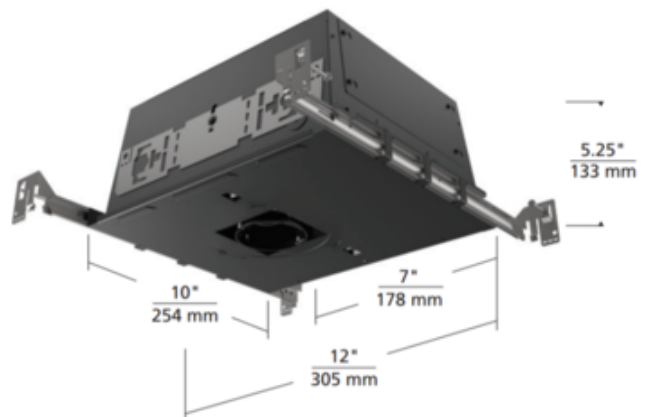


Shown in: Black

TRIM COLOR	N/A
BODY FINISH	Black
WATTAGE	17W
DIMMER	Low Voltage Electronic
DIMENSIONS	12"L x 10"W x 5.25"H
INTEGRATED LED MODULE	
LAMP	1 x LED/17W/120V LED

Technical Information

LUMINOUS FLUX	1252 lumens
LUMENS/WATT	73.65
LAMP COLOR	2700K
COLOR RENDERING	90 CRI
BEAM ANGLE	20°
LAMP LIFE	50000 hours
CEILING TYPE	Drywall with Trim
HOUSING TYPE	New construction IC Airtight
HOUSING HEIGHT	6"
SPEC #	ELE614442



COMPANY	PROJECT	FIXTURE TYPE	APPROVED BY	DATE