



**BRAND**

WAC Lighting

**DESCRIPTION**

LEDme 4 inch New Construction Non-IC Square Invisible Trim Housing sits flush with the ceiling for the cleanest looking recessed lighting installation possible. Housing includes a spackle ring to permit a stable finished installation within a drywall ceiling. Non-IC: requires 3 inch clearance from insulation. Accommodates ceiling thickness up to 1 inch. Housing and junction box are 20 gauge steel. Frame, hanger bars and spackle trim are heavy gauge galvanized steel. Supplied with hanger bars, adjustable from 14.5-24.5 inches to accommodate various joist construction and grid sizes. Seven knockouts and four Romex style wiring connectors provided for ease of installation. Rated for branch wiring. 5 year WAC Lighting product warranty. NOTE: DISCONTINUED MODEL - LIMITED TO QUANTITY ON HAND.



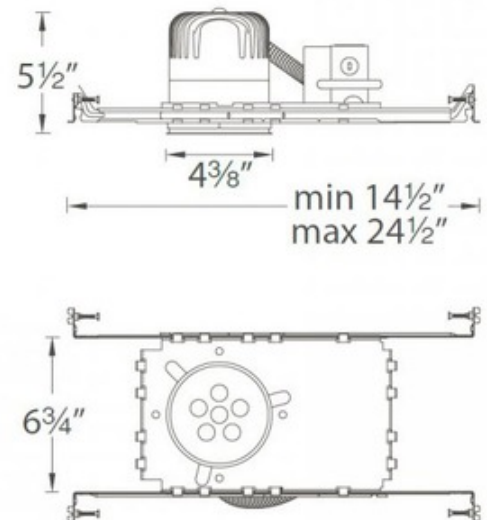
Shown in: Steel

<b>TRIM COLOR</b>	N/A
<b>BODY FINISH</b>	Steel
<b>WATTAGE</b>	16W
<b>DIMMER</b>	Low Voltage Electronic
<b>DIMENSIONS</b>	24.5"W x 5.5"H x 6.75"D
<b>LAMP</b>	1 x LED/16W/120V LED

*Technical Information*

<b>LUMINOUS FLUX</b>	1039 lumens
<b>LUMENS/WATT</b>	64.94
<b>LAMP COLOR</b>	3000 K
<b>LAMP LIFE</b>	100000 hours
<b>CEILING TYPE</b>	Drywall Trimless/Flush
<b>HOUSING TYPE</b>	New construction NON IC Airtight

**ITEM NUMBER** WAC617330



COMPANY	PROJECT	FIXTURE TYPE	APPROVED BY	DATE