

Lightology

lightology.com
866-954-4489
06-04-26

Project: _____
 Company: _____
 Location: _____ Fixture Type: _____
 SPEC #: **MFR617612**
 Approved On: _____ Approved By: _____

Tusk Wall Sconce - Floor Model

By Modern Forms



Description

The Tusk Wall Sconce is expertly crafted from hand-blown etched opal glass, elegantly tapered to spread the light evenly for timeless quality illumination. Note: Fixture is discontinued and limited to quantity on hand.

Specifications

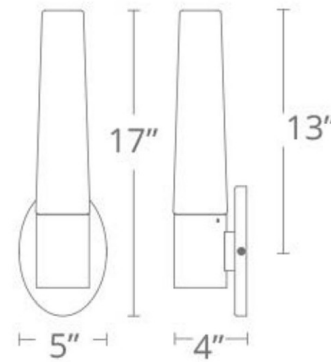
COLOR	Etched Opal
BODY FINISH	Brushed Nickel
WATTAGE	12.3W
DIMMER	Low Voltage Electronic
DIMENSIONS	5"W x 17"H x 4"D
INTEGRATED LED MODULE	1 x LED/12.3W/120V LED
COUNTRY OF ORIGIN	China

Technical Information

LAMP LIFE	54000 hours
COLOR RENDERING	90 CRI
LAMP COLOR	3000K
LUMENS/WATT	55.20
LUMINOUS FLUX	679 lumens



Shown in brushed nickel / etched opal



WS-38817



CLICK TO VIEW PRODUCT

Notes: