

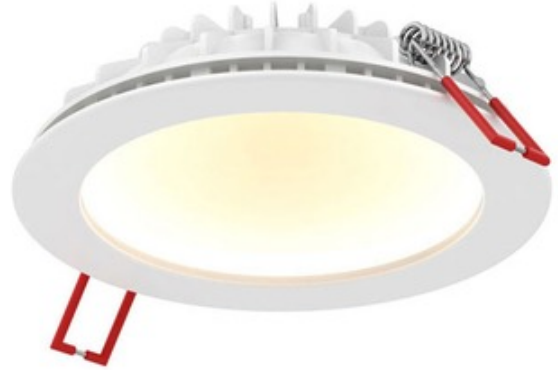


BRAND

DALS Lighting

DESCRIPTION

The 4 Inch Round Indirect Panel Warm Dim LED Trim with IC Airtight Housing includes a junction box with 120 volt integrated dimmable driver for every fixture. Aluminum construction in White finish. IC designation allows for insulation to be in direct contact with housing. Features Warm Dim technology which dims from 3000K to 2200K to mimic incandescent light. Dome reflector with 360 degree wide beam angle. Can be daisy chained.

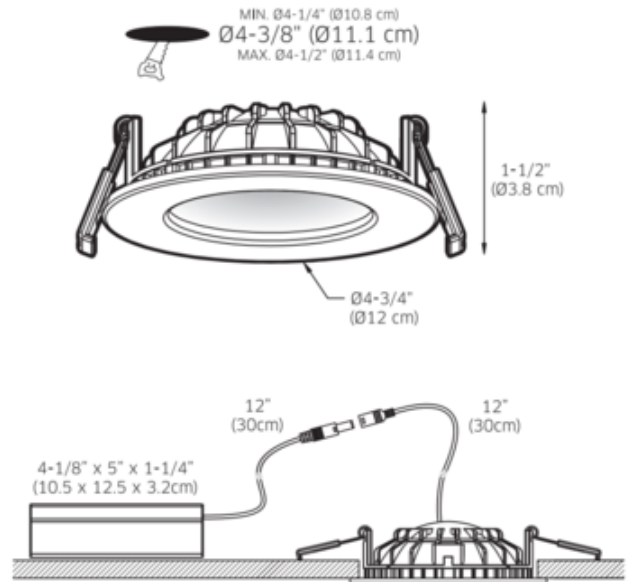


Shown in: White

TRIM COLOR	N/A
BODY FINISH	White
WATTAGE	9W
DIMMER	Standard 120V
DIMENSIONS	4.75"W x 1.5"H
INTEGRATED LED MODULE	
LAMP	1 x LED/9W/120V LED

Technical Information

LUMINOUS FLUX	500 lumens
LUMENS/WATT	55.56
LAMP COLOR	3000K Warm Dim
COLOR RENDERING	80 CRI
BEAM ANGLE	110°
LAMP LIFE	50000 hours
FUNCTION	Downlight
CEILING TYPE	Drywall with Trim
HOUSING TYPE	Remodel IC Airtight
SPEC #	DLS621067



COMPANY	PROJECT	FIXTURE TYPE	APPROVED BY	DATE