

Lightology

lightology.com
866-954-4489
07-07-26

Project: _____

Company: _____

Location: _____ Fixture Type: _____

SPEC #: **ACC621715**

Approved On: _____ Approved By: _____

Iron LED Wall Sconce

By Access

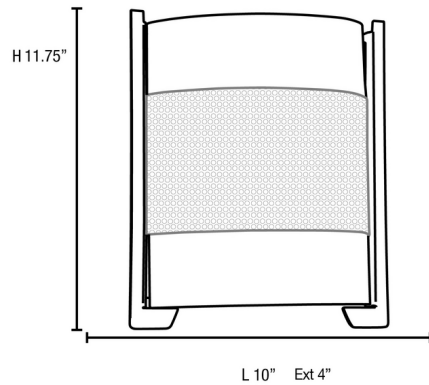


Description

The Iron LED Wall Sconce features steel construction and opal glass diffuser. JA8-2016/ Title 24, Title 20 for replaceable LED only. Suitable for commercial or residential use.



Shown in brushed steel / opal



Specifications

COLOR	Opal
BODY FINISH	Brushed Steel
WATTAGE	20W
DIMMER	Low Voltage Electronic
DIMENSIONS	10"W x 11.75"H x 4"D
BULB INCLUDED	2 x A19/Medium (E26)/10W/120V LED
COUNTRY OF ORIGIN	China

Technical Information

COLOR RENDERING	90 CRI
LAMP COLOR	3000K
LUMENS/WATT	160.00
LUMINOUS FLUX	1600 lumens



CLICK TO VIEW PRODUCT

Notes: