

Lightology

lightology.com
866-954-4489
05-24-26

Project: _____
 Company: _____
 Location: _____ Fixture Type: _____
 SPEC #: **INV623546**
 Approved On: _____ Approved By: _____

Bell Stem Hung Pendant By Innovations Lighting

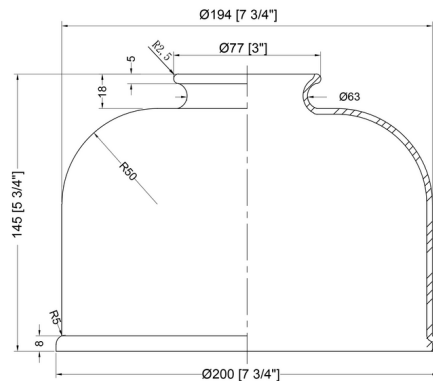


Description

The Large Bell 1 Light Mini Pendant features a Clear glass shade with a Brushed Brass, Antique Copper, Oil Rubbed Bronze, or Satin Nickel finish. Two lamp options. Includes one 6 inch and two 12 inch down rods and 4.5 inch diameter canopy with hang-straight swivel.



Shown in brushed brass / clear



Specifications

COLOR	Clear
BODY FINISH	Brushed Brass
WATTAGE	17W
DIMMER	Standard 120V
DIMENSIONS	8"W x 10"H
BULB NOT INCLUDED	1 x Edison ST-Shape/Medium (E26)/17W/120V LED
COUNTRY OF ORIGIN	China



CLICK TO VIEW PRODUCT

Notes: