

Lightology

lightology.com
866-954-4489
04-27-26

Project: _____

Company: _____

Location: _____ Fixture Type: _____

SPEC #: **INV623678**

Approved On: _____ Approved By: _____

Railroad Hinged Wall Sconce By Innovations Lighting



Description

The Railroad Wall Light features a 180 degree adjustable swivel shade with an engraved cast cup.

Specifications

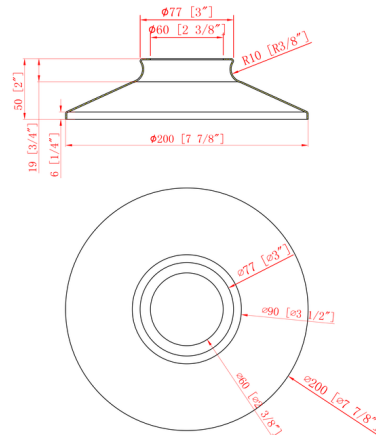
COLOR	N/A
BODY FINISH	Polished Nickel
WATTAGE	17W
DIMMER	Standard 120V
DIMENSIONS	8"W x 8"H x 9"D
BULB NOT INCLUDED	1 x Edison ST-Shape/Medium (E26)/17W/120V LED
COUNTRY OF ORIGIN	China

Technical Information

PRODUCT DIMENSIONS	Canopy: 4.5" Diameter
--------------------	-------	-----------------------



Shown in polished nickel



CLICK TO VIEW PRODUCT

Notes: