

# Lightology

lightology.com  
866-954-4489  
04-09-26

Project: \_\_\_\_\_

Company: \_\_\_\_\_

Location: \_\_\_\_\_ Fixture Type: \_\_\_\_\_

SPEC #: **ART63491**

Approved On: \_\_\_\_\_ Approved By: \_\_\_\_\_

## Tolomeo Micro LED Desk Lamp By Artemide



### Description

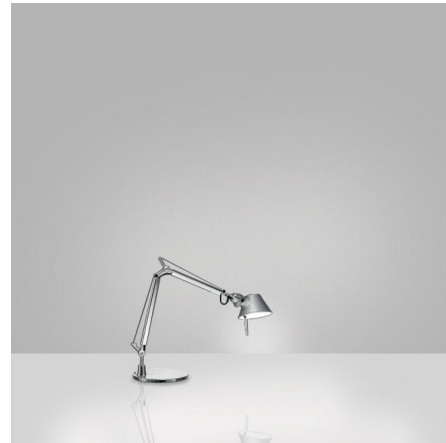
Discover refined task lighting with modern efficiency in the Tolomeo Micro LED Desk Lamp. This elegant fixture features a stable round base in weighted steel, providing a solid foundation for its fully adjustable articulated arm crafted from extruded aluminum. The signature joints and tension control knobs, made from polished die-cast aluminum, ensure fluid movement and precise light positioning. The diffuser is impressively tiltable and rotatable a full 360 degrees, allowing you to direct light with precision for any task. An integrated LED light source provides bright, energy-efficient illumination, while a convenient dimmer switch is located on the cord for easy adjustment. UL listed for safety, customers consistently laud its perfect size for compact spaces and excellent focused light. Ideal for bedside tables, small workspaces, or any area where precise, stylish, and contemporary LED illumination is desired.

### Specifications

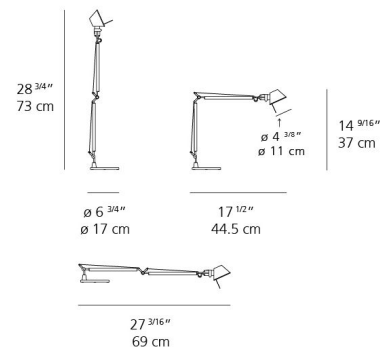
COLOR . . . . . Aluminum  
 BODY FINISH . . . . . Aluminum  
 WATTAGE . . . . . 8W  
 DIMMER . . . . . Included  
 DIMENSIONS . . . . . 28.75"L x 14.6"H x 17.5"D  
 INTEGRATED LED MODULE . . . . . 1 x LED/8W/120V LED  
 COUNTRY OF ORIGIN . . . . . Italy

### Technical Information

LAMP LIFE . . . . . 50000 hours  
 COLOR RENDERING . . . . . 80 CRI  
 LAMP COLOR . . . . . 3000K  
 LUMENS/WATT . . . . . 37.13  
 LUMINOUS FLUX . . . . . 297 lumens



Shown in aluminum / aluminum



CLICK TO VIEW PRODUCT

Notes: