



DESIGNER Sean Lavin
BRAND Visual Comfort Modern

DESCRIPTION

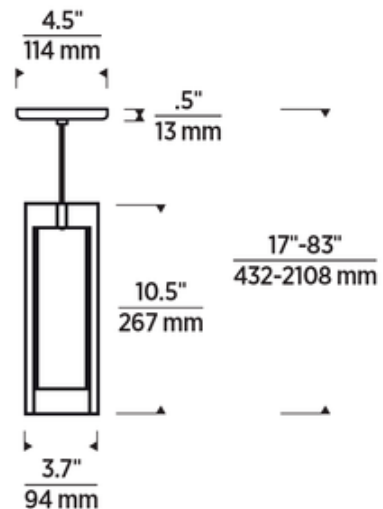
The Sara Grande Pendant layers a clear pure crystal cylinder around a hand-blown inner white glass diffuser for a sleek, elegant feel. Hang several in a row down a hallway or over a dining room table, or use individual pendants to accent a bathroom. The LED option is dimmable with a TRIAC or ELV dimmer.



Shown in: Satin Nickel / Clear

SHADE COLOR	Clear
BODY FINISH	Satin Nickel
WATTAGE	60W
DIMMER	Standard 120V
DIMENSIONS	3.7"W x 10"H
BULB NOT INCLUDED	
LAMP	1 x BT15/Medium (E26)/60W/120V Halogen 1 x BT15/Medium (E26)/120V LED

SPEC # TLG63987



COMPANY	PROJECT	FIXTURE TYPE	APPROVED BY	DATE