

Lightology

lightology.com
866-954-4489
04-26-26

Project: _____
 Company: _____
 Location: _____ Fixture Type: _____
 SPEC #: **EDG646669**
 Approved On: _____ Approved By: _____

Light Channel .6 7W Millwork - Overstock By PureEdge Lighting



Description

The Light Channel .6 is a slim profile made-to-order complete fixture designed to be recessed into millwork. Available in 22 inch length available in with 7 (7.3 watts) watts per foot in 2700K color temperature with a diffused lens. Included components: Light Channel .6 Millwork Channel, 24VDC LED Strip, 96 inch Power Connector (one per fixture), mounting clips (included with every 2 feet of channel), lens, and end caps. System requires a 50 watt (PS-60L-ELV) ELV power supply which fits inside junction box (dimmmable with ELV), or a remote Universal (UNI) power supply (dimmmable with ELV/TRIAC/0-10V). Required power supply, dimmer control, and optional mounting accessories sold separately. Note: Length reflects overall length including end caps (see attached chart for overall recessed length without end caps and illuminated lengths). Product is built to order. NOTE: This is a discontinued model and limited to quantity on hand.

Specifications

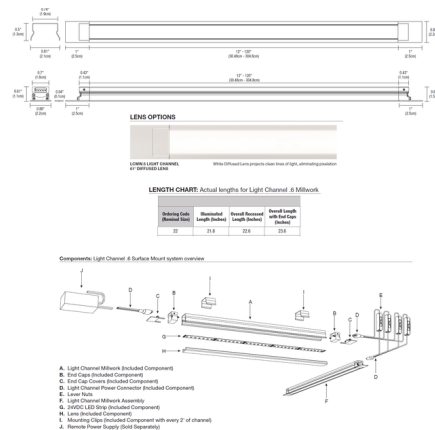
COLOR	N/A
BODY FINISH	Bronze
WATTAGE	12W
DIMMER	Low Voltage Electronic
DIMENSIONS	22" L x 0.74" W x 0.5" H
INTEGRATED LED MODULE	1 x LED/12W/120V LED

Technical Information

LAMP LIFE	50000 hours
COLOR RENDERING	95 CRI
LAMP COLOR	2700K
LUMENS/WATT	45.08
LUMINOUS FLUX	541 lumens



Shown in bronze



CLICK TO VIEW PRODUCT

Notes: