

Lightology

lightology.com
866-954-4489
07-10-26

Project: _____

Company: _____

Location: _____ Fixture Type: _____

SPEC #: **DVI657284**

Approved On: _____ Approved By: _____

Polygon Linear Pendant

By DVI Lighting



Description

The Polygon Linear Pendant will add style and function to yours space. Features a Graphite frame with Satin Nickel or Chrome lamp holders. Available in two size options. Ideally suited for vintage style bulbs.

Specifications

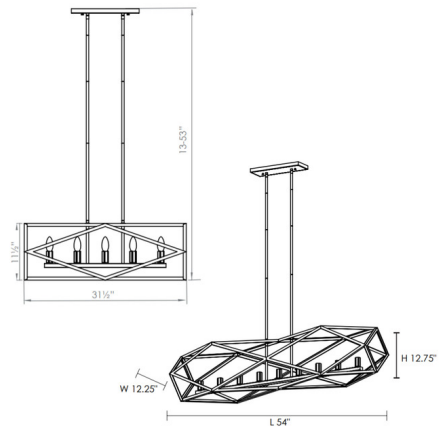
COLOR Chrome
BODY FINISH Graphite
WATTAGE 200W
DIMMER Standard 120V
DIMENSIONS 31.5"L x 11"W x 11.5"H
BULB NOT INCLUDED 5 x B10/Candelabra (E12)/40W/120V Incandescent
OTHER BULB OPTIONS 5 x B10/Candelabra (E12)/60W/120V Incandescent

Technical Information

PRODUCT DIMENSIONS Downrods: 2 - 15in., 2 - 12in., 2 - 9in., and 2 - 4in.



Shown in graphite / chrome



CLICK TO VIEW PRODUCT

Notes: