

Lightology

lightology.com
866-954-4489
07-04-26

Project: _____

Company: _____

Location: _____ Fixture Type: _____

SPEC #: **KRL657538**

Approved On: _____ Approved By: _____

Kabuki Pendant

By Kartell

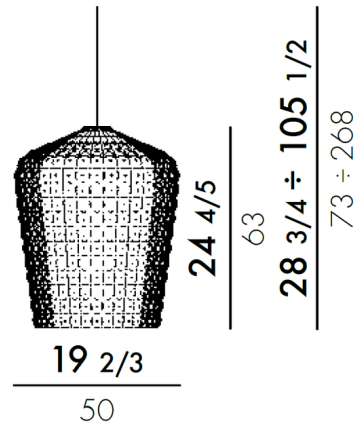


Description

The Kabuki Pendant uses a sophisticated injection technology which creates a woven, lace-like structure with a unique perforated surface through which the light is diffused.



Shown in sage green



Specifications

COLOR	Sage Green
BODY FINISH	N/A
WATTAGE	15W
DIMMER	Standard 120V
DIMENSIONS	19.6"W x 24.8"H
BULB NOT INCLUDED	1 x A19/Medium (E26)/15W/120V LED
COUNTRY OF ORIGIN	Italy



CLICK TO VIEW PRODUCT

Notes: