

Lightology

lightology.com
866-954-4489
05-12-25

Project: _____

Company: _____

Location: _____ Fixture Type: _____

SPEC #: **THV658246**

Approved On: _____ Approved By: _____

Cube Table Lamp By Thierry Vide

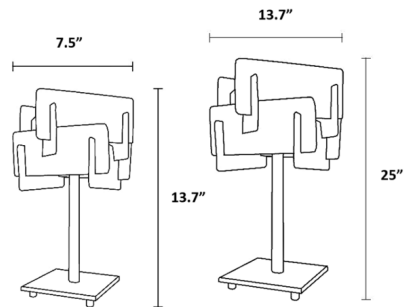


Description

Cube Table Lamp uses fluid and evanescent transparency to capture the light, releasing it back into rhythmic compositions, from simple geometric forms. Available perforated Stainless Steel finish in small and large sizes. Handmade in Paris. UL listed.



Shown in stainless steel



Specifications

COLOR	N/A
BODY FINISH	Stainless Steel
WATTAGE	50W
DIMMER	N/A
DIMENSIONS	7.5"W x 13.7"H
BULB NOT INCLUDED	1 x JCD/G9/50W/120V Halogen



CLICK TO VIEW PRODUCT

Notes: