

Lightology

lightology.com
866-954-4489
06-08-26

Project: _____

Company: _____

Location: _____ Fixture Type: _____

SPEC #: **THV658270**

Approved On: _____ Approved By: _____

Solar Wall Light

By Vide Creation Paris

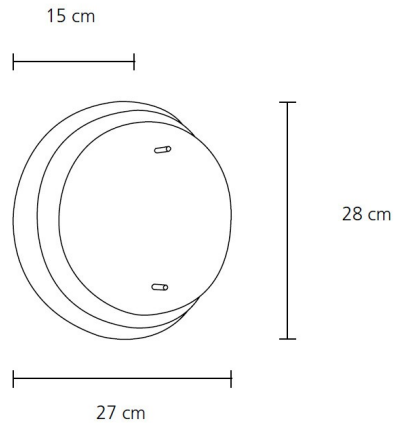


Description

Solar Wall Light uses fluid and evanescent transparency to capture the light, releasing it back into rhythmic compositions, from simple geometric forms. Available with a perforated Stainless Steel finish. Handmade in Paris. UL listed.



Shown in stainless steel



Specifications

COLOR	N/A
BODY FINISH	Stainless Steel
WATTAGE	5W
DIMMER	Standard 120V
DIMENSIONS	10"W x 11"H x 6"D
BULB NOT INCLUDED	1 x B11/Candelabra (E12)/5W/120V LED
OTHER BULB OPTIONS	1 x B10/Candelabra (E12)/60W/120V Incandescent



CLICK TO VIEW PRODUCT

Notes: