



**BRAND**

Schneid

**DESCRIPTION**

Junit Crescent Pendant, designed by Julia Jessen, has a minimalist form that is unique in each piece. Turned from high quality natural ash wood and painted in a German workshop. This is perfect alone, or grouped to create your own look. Includes 13 foot adjustable cord. Available with UL listing or non-UL (CE).



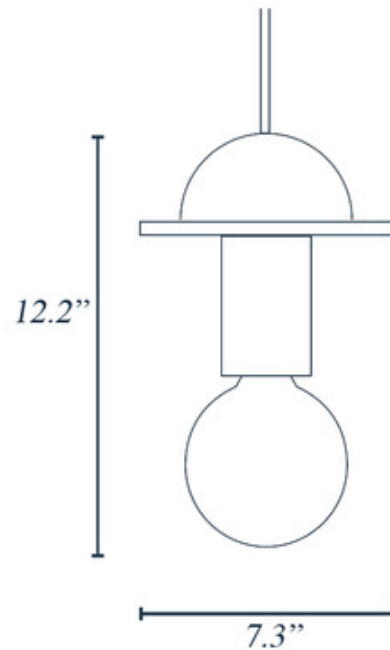
*Shown in: Black*

<b>SHADE COLOR</b>	N/A
<b>BODY FINISH</b>	Black
<b>WATTAGE</b>	6W
<b>DIMMER</b>	Standard 120V
<b>DIMENSIONS</b>	7.3"W x 12.2"H
<b>BULB INCLUDED</b>	
<b>LAMP</b>	1 x G25/Medium (E26)/6W/120V LED

*Technical Information*

<b>PRODUCT DIMENSIONS</b>	Adjustable Cord Length: 98.43"
---------------------------	--------------------------------

<b>SPEC #</b>	SND658528
---------------	-----------



COMPANY	PROJECT	FIXTURE TYPE	APPROVED BY	DATE