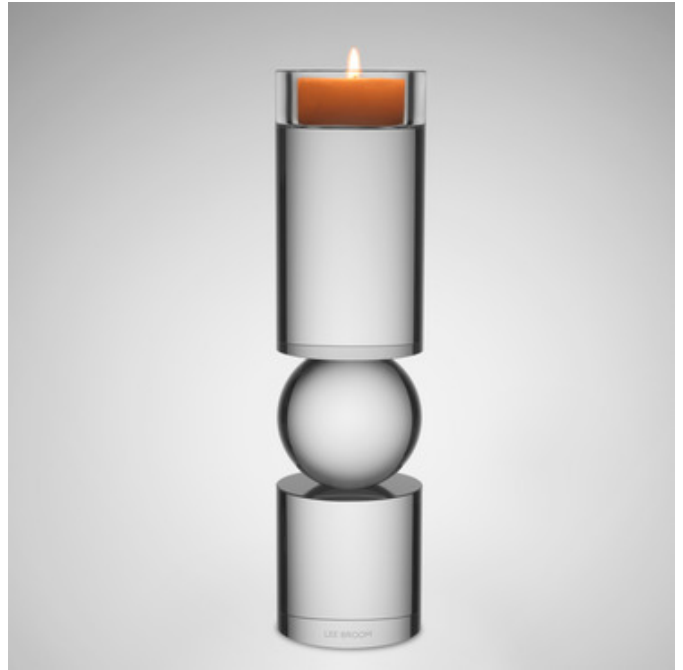


BRAND

Lee Broom

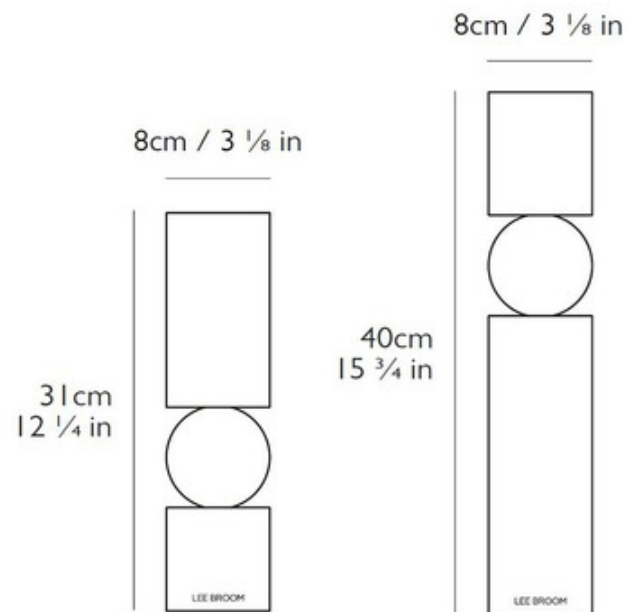
DESCRIPTION

The Fulcrum Candlesticks offer a sculptural form playing on the concept of pivots and supports, these geometric votives offers a unique touch for any space with its cylindrical forms that appear to balance on a central sphere.



COLOR	N/A
BODY FINISH	Clear Glass
WATTAGE	N/A
DIMMER	N/A
DIMENSIONS	3.12"W x 12.75"H
LAMP	N/A

SPEC # LEB659579



COMPANY	PROJECT	FIXTURE TYPE	APPROVED BY	DATE