



**DESIGNER** Stefano Papi and Saviz Yaghmai  
**BRAND** Terzani USA

**DESCRIPTION**

The Epoque Chandelier is a light sculpture designed to study light, shadows, and volume. This stunning piece is composed of curved, organic lines with a central elongated section and an arc allowing light to envelope the room. Available in a Nickel, Black Nickel, Gold, and Bronze finish. 2700K and 3000K light color temperatures available. ETL listed.



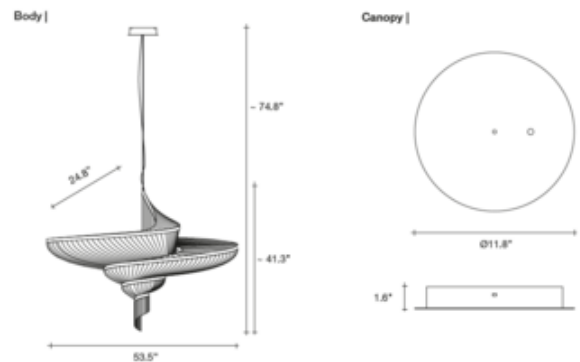
Shown in: Nickel

<b>SHADE COLOR</b>	N/A
<b>BODY FINISH</b>	Nickel
<b>WATTAGE</b>	42W
<b>DIMMER</b>	0-10V
<b>DIMENSIONS</b>	53.5"W x 41.3"H
<b>LAMP</b>	20 x LED/2.1W/120V LED

*Technical Information*

<b>LUMINOUS FLUX</b>	4800 lumens
<b>LUMENS/WATT</b>	2,285.71
<b>LAMP COLOR</b>	3000 K
<b>PRODUCT DIMENSIONS</b>	Max Overall Height: 74.8"

**ITEM NUMBER** TRZ660412



COMPANY	PROJECT	FIXTURE TYPE	APPROVED BY	DATE