



**BRAND**

PureEdge Lighting

**DESCRIPTION**

Unlike standard LEDs, Sol-Light Warm Dim LEDs are designed to shift from full brightness (2700K or 3000K) to a warmer color temperature (1800K) as they are dimmed down, replicating the effects of halogen light sources. Features high CRI 95+ and high R9 85+. The GU5.3 base MR16 LED is a direct replacement for a 50 watt halogen with 24 or 36 degree beam spreads. For use in track lighting, recessed down lights, and other indoor and outdoor applications. UL, NOM and CUL listed for use with 12 volt NEC Class 1 and Class 2 systems. Suitable for enclosed fixtures. Title 24 and JAS8 compliant. 3 year pro-rated warranty. Phase and power dimmable, percent of flicker less than 1 percent. Compatible with 12VAC LED electronic low voltage (use ELV dimmer also called trailing-edge or reverse phase), and magnetic low voltage (use MLV dimmer also called leading edge or forward phase).



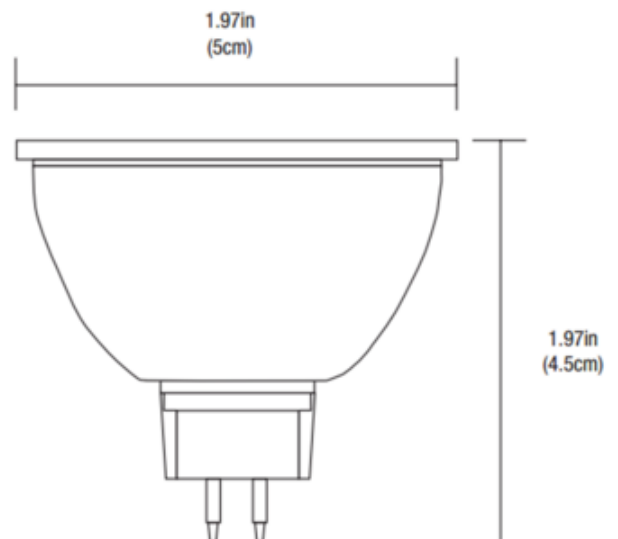
Shown in: Silver

<b>SHADE COLOR</b>	N/A
<b>BODY FINISH</b>	Silver
<b>WATTAGE</b>	7.73W
<b>DIMMER</b>	Low Voltage Electronic
<b>DIMENSIONS</b>	1.97"W x 1.85"H
<b>LAMP</b>	1 x MR16/GU5.3 (bipin)/7.73W/12V LED

*Technical Information*

<b>LUMINOUS FLUX</b>	390 lumens
<b>LUMENS/WATT</b>	50.45
<b>LAMP COLOR</b>	27 K
<b>COLOR RENDERING</b>	97 CRI
<b>BEAM ANGLE</b>	24°

**ITEM NUMBER** EDG662142



COMPANY	PROJECT	FIXTURE TYPE	APPROVED BY	DATE