

# Lightology

lightology.com  
866-954-4489  
04-22-26

Project: \_\_\_\_\_  
 Company: \_\_\_\_\_  
 Location: \_\_\_\_\_ Fixture Type: \_\_\_\_\_  
 SPEC #: **EDG662143**  
 Approved On: \_\_\_\_\_ Approved By: \_\_\_\_\_

## Sol-Light MR16 GU5.3 Base 8W 12V Warm Dim By PureEdge Lighting



### Description

Unlike standard LEDs, Sol-Light Warm Dim Halogen Curve Series LEDs are designed to shift from full brightness (2700K or 3000K) to a warmer color temperature (1800K) as they are dimmed down, replicating the effects of halogen light sources. Features high CRI 95+ and high R9 85+. The GU5.3 base MR16 LED is a direct replacement for a 50 watt halogen with Narrow Flood 24 or Flood 36 degree beam spreads. For use in track lighting, recessed down lights, and other indoor and outdoor applications. UL, NOM and CUL listed for use with 12 volt NEC Class 1 and Class 2 systems. Suitable for enclosed fixtures. Title 24 and JA8 compliant. 3 year pro-rated warranty. Phase and power dimmable, percent of flicker less than 1 percent. Compatible with 12VAC LED electronic low voltage (use ELV dimmer also called trailing-edge or reverse phase), and magnetic low voltage (use MLV dimmer also called leading edge or forward phase).

### Specifications

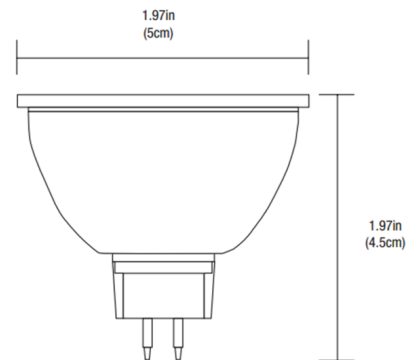
COLOR	N/A
BODY FINISH	Silver
WATTAGE	7.7W
DIMMER	Low Voltage Electronic
DIMENSIONS	1.97"W x 1.85"H
BULB INCLUDED	1 x MR16/GU5.3 (bipin)/7.73W/12V LED

### Technical Information

LAMP LIFE	30000 hours
BEAM ANGLE	24°
COLOR RENDERING	97 CRI
LAMP COLOR	3000K Warm Dim
LUMENS/WATT	53.04
LUMINOUS FLUX	410 lumens



Shown in silver



CLICK TO VIEW PRODUCT

Notes: