

# Lightology

lightology.com  
866-954-4489  
05-31-26

Project: \_\_\_\_\_  
 Company: \_\_\_\_\_  
 Location: \_\_\_\_\_ Fixture Type: \_\_\_\_\_  
 SPEC #: **SON665950**  
 Approved On: \_\_\_\_\_ Approved By: \_\_\_\_\_

## Suspenders Wall Light with Parachute Luminaire By Sonneman

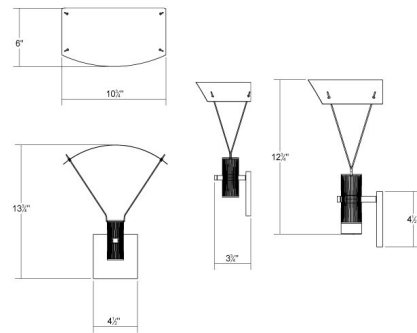


### Description

Bar-Mounted Cylinders attach to the Single Sconce Power Feed, forming a range of functional architectural Suspenders Sconces. Available with a Satin Black finish. ETL and UL listed. Luminaire 1: -- x Duplex 50 Deg Cylinder/Parachute, Duplex Diffused Cylinder/Parachute, or Duplex 50 Deg Snoot Cylinder/Parachute Transformer Location: Outlet Box



Shown in satin black



### Specifications

COLOR	N/A
BODY FINISH	Satin Black
WATTAGE	9W
DIMMER	Low Voltage Electronic
DIMENSIONS	10.75"W x 11.75"H x 6"D
INTEGRATED LED MODULE	1 x LED/9W/120V LED

### Technical Information

BEAM ANGLE	50°
COLOR RENDERING	90 CRI
LAMP COLOR	3000K
LUMENS/WATT	62.22
LUMINOUS FLUX	560 lumens



CLICK TO VIEW PRODUCT

Notes: