

Lightology

lightology.com
866-954-4489
05-28-26

Project: _____

Company: _____

Location: _____ Fixture Type: _____

SPEC #: **SON665953**

Approved On: _____ Approved By: _____

Suspenders Wall Up Light with Parachute Luminaire By Sonneman

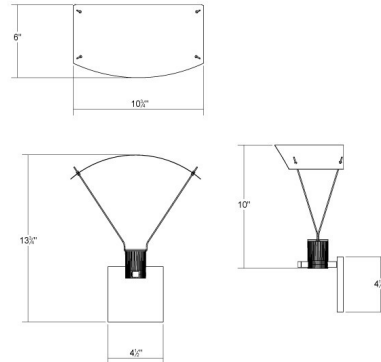


Description

Bar-Mounted Cylinders attach to the Single Sconce Power Feed, forming a range of functional architectural Suspenders Sconces. Available with a Satin Black finish. ETL and UL listed. Luminaire 1: 1 x 50 Deg Cylinder/ Parachute Transformer Location: Outlet Box



Shown in satin black



Specifications

COLOR	N/A
BODY FINISH	Satin Black
WATTAGE	5W
DIMMER	Low Voltage Electronic
DIMENSIONS	10.75"W x 10"H x 6"D
INTEGRATED LED MODULE	1 x LED/5W/120V LED

Technical Information

COLOR RENDERING	90 CRI
LAMP COLOR	3000K
LUMENS/WATT	56.00
LUMINOUS FLUX	280 lumens



CLICK TO VIEW PRODUCT

Notes: