



DESIGNER

Servomuto

BRAND

Contardi

DESCRIPTION

The Calypso Martinique Outdoor Pendant is a collection of lamps inspired by the forties. They show a connection with the tropical and Southern American world, where the European deco style, characterized by geometric lines and black and whites, is twisted and revitalized thanks to bright colors, patterns, and twine. Includes a moss green waterproof braided suspension cord. Note: Large option not available in Building Multi color. The fabrics used for the outdoor collection are waterproof and/or water repellent.



Shown in: Satin Brass / Yellow Multi

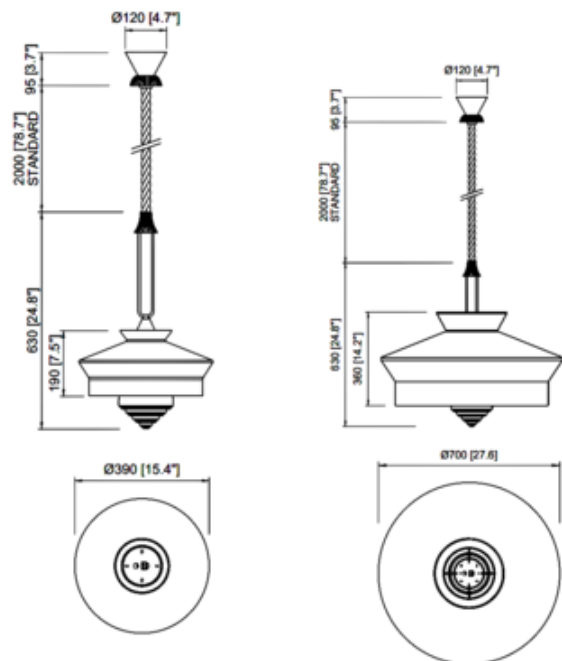
SHADE COLOR	Yellow Multi
BODY FINISH	Satin Brass
WATTAGE	9W
DIMMER	Low Voltage Electronic
DIMENSIONS	15.4"W x 24.8"H
BULB NOT INCLUDED	
LAMP	1 x T8/Medium (E26)/9W/120V LED

Technical Information

PRODUCT DIMENSIONS	Cord Length: 78.7"
--------------------	--------------------

SPEC #

CDI665994



COMPANY

PROJECT

FIXTURE TYPE

APPROVED BY

DATE