

Lightology

lightology.com
866-954-4489
04-14-26

Project: _____
 Company: _____
 Location: _____ Fixture Type: _____
 SPEC #: **CDI665998**
 Approved On: _____ Approved By: _____

Calypso Antigua Outdoor Pendant By Contardi

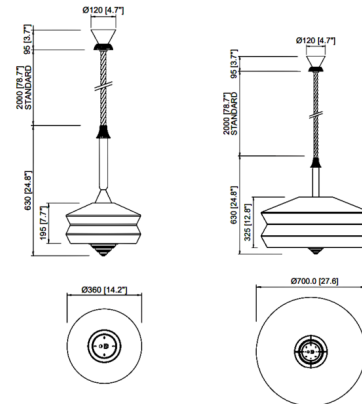


Description

The Calypso Antigua Pendant is a collection of lamps inspired by the 1940s. They show a connection with the tropical and Southern American world, where the European deco style, characterized by geometric lines and black and whites, is twisted and revitalized thanks to bright colors, patterns, and twine. Includes a green waterproof braided suspension cord. Note: The fabrics used for the outdoor collection are waterproof and/or water repellent. The 27.6 inch size is only available in Mint Multi color.



Shown in matte gold / mint multi



Specifications

COLOR	Mint Multi
BODY FINISH	Matte Gold
WATTAGE	9W
DIMMER	Standard 120V
DIMENSIONS	14.2"W x 24.8"H
BULB NOT INCLUDED	1 x T8/Medium (E26)/9W/120V LED
COUNTRY OF ORIGIN	Italy

Technical Information

PRODUCT DIMENSIONS Cord Length: 74.8"



CLICK TO VIEW PRODUCT

Notes: