

Lightology

lightology.com
866-954-4489
05-17-26

Project: _____

Company: _____

Location: _____ Fixture Type: _____

SPEC #: **HIN668010**

Approved On: _____ Approved By: _____

Shielded 12V MR16 Well Light By Hinkley Lighting

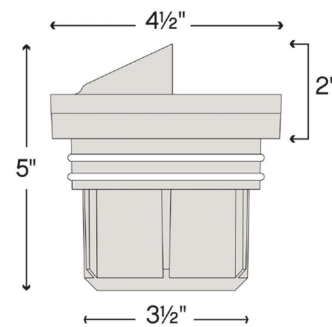


Description

The 12V MR16 Shielded Well Light is made of aluminum complemented by a clear lens. Lamp is adjustable +/- 20 degrees. Includes wiring kit, PVC constructed concrete pour kit and burial sleeve. Includes a dense foam cap to prevent concrete from entering.



Shown in matte bronze / clear



Specifications

COLOR	Clear
BODY FINISH	Matte Bronze
WATTAGE	12W
DIMMER	Low Voltage Magnetic
DIMENSIONS	4.5"W x 5"H
BULB NOT INCLUDED	1 x MR16/GU5.3 (bipin)/12W/12V LED
COUNTRY OF ORIGIN	China



CLICK TO VIEW PRODUCT

Notes: