

Lightology

lightology.com
866-954-4489
07-07-26

Project: _____

Company: _____

Location: _____ Fixture Type: _____

SPEC #: **MAX670079**

Approved On: _____ Approved By: _____

Prime Pendant By Maxim Lighting



Description

Prime Pendant features an internal acrylic diffuser that twist locks into place and a fabric shade, creating a crisp clean look without any exposed screws or knobs. Available with an Oatmeal shade or a Grass Cloth Shade with an Oil Rubbed Bronze finish or a White Linen or White Weave shade with a Satin Nickel finish, all in small and large sizes. Comes with one 3 inch and three 12 inch downrods to customize length. UL listed.

Specifications

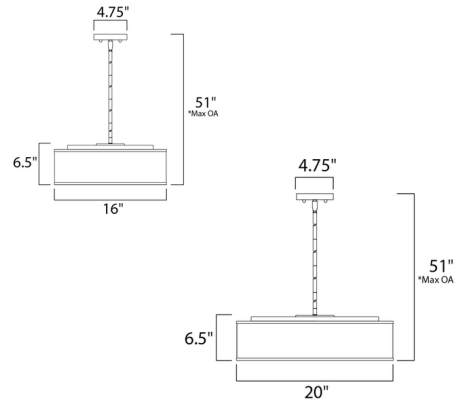
COLOR Oatmeal
BODY FINISH N/A
WATTAGE 30W
DIMMER Standard 120V
DIMENSIONS 16"W x 6.5"H
INTEGRATED LED MODULE 3 x LED/10W/120V LED

Technical Information

LAMP LIFE 35000 hours
COLOR RENDERING 90 CRI
LAMP COLOR 3000K
LUMENS/WATT 210.00
LUMINOUS FLUX 2100 lumens



Shown in oatmeal



CLICK TO VIEW PRODUCT

Notes: