



BRAND

Beach Lighting

DESCRIPTION

R4-421TL 4 Inch Round Trimless Downlight Flange is designed for use in line voltage applications. Includes clear lens. Accommodates one 120 volt, GU10 MR16 halogen bulb up to 50 watts (or LED equivalent), sold separately. Halogen GU10 MR16 dimmable with a standard incandescent dimmer. See bulb manufacturer specification for dimmer compatibility when using LED equivalents. 4 inch diameter. For use with new construction housings only. A complete fixture consists of a housing and trim, sold separately.



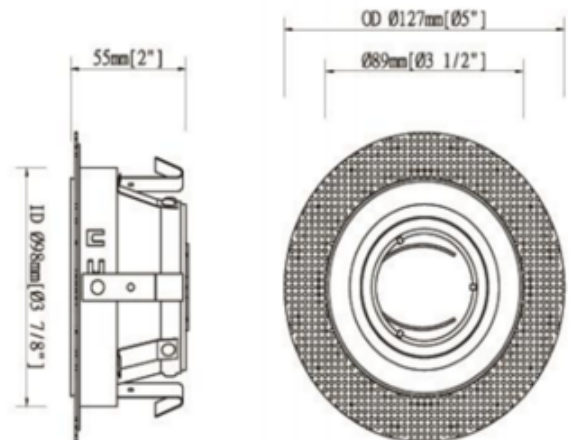
Shown in: Matte White

TRIM COLOR	N/A
BODY FINISH	Matte White
WATTAGE	50W
DIMMER	Dimmable
DIMENSIONS	4"W
LAMP	1 x MR16/GU10/50W/120V Halogen 1 x MR16/GU10/120V LED

Technical Information

FUNCTION	Downlight
CEILING TYPE	Drywall Trimless/Flush
APERTURE SHAPE	Round
APERTURE SIZE	4.000"

ITEM NUMBER BEA670805



COMPANY	PROJECT	FIXTURE TYPE	APPROVED BY	DATE