

Lightology

lightology.com
866-954-4489
04-24-26

Project: _____

Company: _____

Location: _____ Fixture Type: _____

SPEC #: **ART69836**

Approved On: _____ Approved By: _____

Teti Wall / Ceiling Light

By Artemide

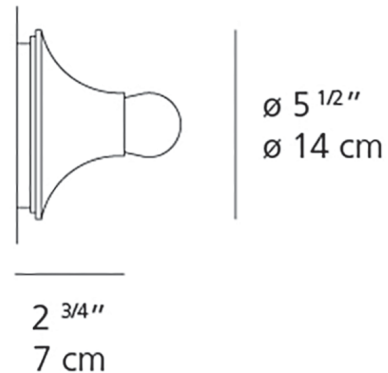


Description

Embrace minimalist design and versatile application with the Teti Wall / Ceiling Light, a simple yet impactful fixture that seamlessly blends into any modern interior. This compact light is composed of durable thermoplastic resin with a crisp Polished White finish, ensuring a clean and unobtrusive aesthetic. Its straightforward design allows for easy integration as either a wall sconce or a ceiling mount, offering flexibility in lighting your space. UL listed for safety, customers consistently praise its unassuming elegance and ability to provide subtle yet effective light. Perfect for hallways, bathrooms, accent lighting in living areas, or creating a series of light points for visual interest, the Teti Wall / Ceiling Light is a testament to timeless contemporary design, proving that sometimes, less truly is more.



Shown in polished white



Specifications

COLOR	N/A
BODY FINISH	Polished White
WATTAGE	40W
DIMMER	Standard 120V
DIMENSIONS	5.5"W x 2.76"H x 5.5"D
BULB NOT INCLUDED	1 x A15/Medium (E26)/40W/120V Incandescent
OTHER BULB OPTIONS	1 x A15/Medium (E26)/120V LED
COUNTRY OF ORIGIN	Italy



CLICK TO VIEW PRODUCT

Notes: