

Lightology

lightology.com
866-954-4489
04-25-26

Project: _____

Company: _____

Location: _____ Fixture Type: _____

SPEC #: **FOS70309**

Approved On: _____ Approved By: _____

Bit 1 Wall Sconce

By Foscarini

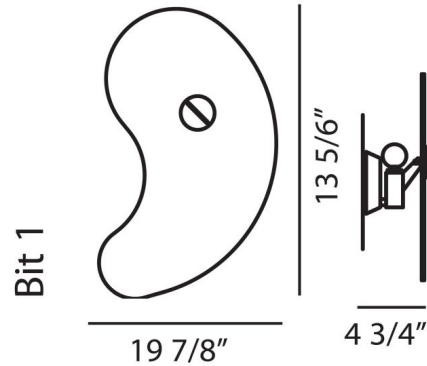


Description

The Bit 1 Wall Light has a silkscreen-printed satin glass diffuser, mounted on lacquered metal support. This modern wall light focuses great attention on creativity and taste of innovation, out of the ordinary, and with highest care for details both of design and of functionality.



Shown in satin / red



Specifications

COLOR	Red
BODY FINISH	Satin
WATTAGE	60W
DIMMER	Low Voltage Electronic
DIMENSIONS	19.87"W x 13.83"H x 4.75"D
BULB NOT INCLUDED	1 x G16.5/Candelabra (E12)/60W/120V Incandescent



CLICK TO VIEW PRODUCT

Notes: