



**BRAND**

Lutron

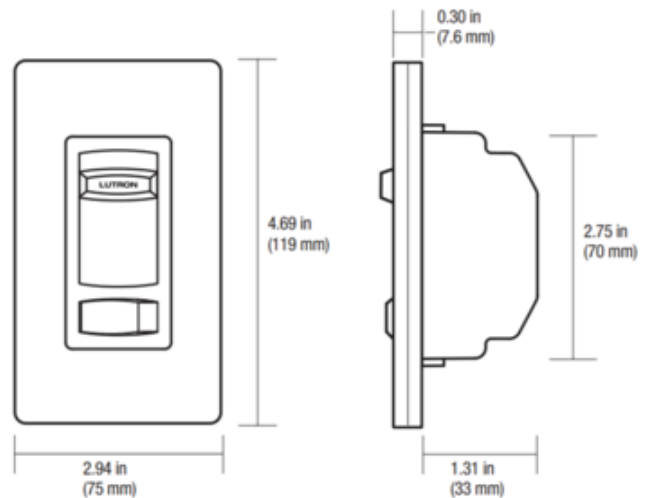
**DESCRIPTION**

The Skylark Contour LED+ Dimmer features an on/off rocker switch and a linear slide dimmer. Single pole/3-way. Designed for use with dimmable LEDs and dimmable compact fluorescent (CFL) with integrated ballast up to 150 watts, Lutron LTEA Hi-lume 1% forward phase LED driver (max 6 drivers), and halogen and incandescent up to 600 watts. Note: Claro designer wallplate sold separately.



Shown in: Gloss White

SHADE COLOR	N/A
BODY FINISH	Gloss White
WATTAGE	N/A
DIMMER	N/A
DIMENSIONS	N/A
LAMP	N/A



SPEC # LUT72563

COMPANY	PROJECT	FIXTURE TYPE	APPROVED BY	DATE