

Lightology

lightology.com
866-954-4489
05-16-26

Project: _____

Company: _____

Location: _____ Fixture Type: _____

SPEC #: **EDG747980**

Approved On: _____ Approved By: _____

Zipp 4 Inch Square Split Canopy By PureEdge Lighting

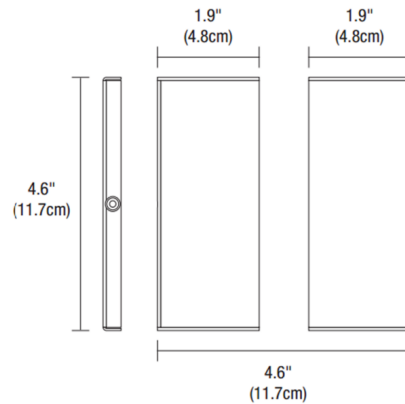


Description

The 4 Inch Square Split Canopy fits on a standard 4 inch electrical box with round plaster ring. It fits flush along channel while covering the junction box. The Canopy may float anywhere along the channel. Included as standard canopy with 4S selected in fixture ordering code.



Shown in satin nickel



Specifications

COLOR	N/A
BODY FINISH	Satin Nickel
WATTAGE	N/A
DIMMER	N/A
DIMENSIONS	4.6"W x 4.6"D
BULB	N/A



CLICK TO VIEW PRODUCT

Notes: