

Lightology

lightology.com
866-954-4489
07-09-26

Project: _____
Company: _____
Location: _____ Fixture Type: _____
SPEC #: **CER752095**
Approved On: _____ Approved By: _____

Talea Wall Light By Cerno

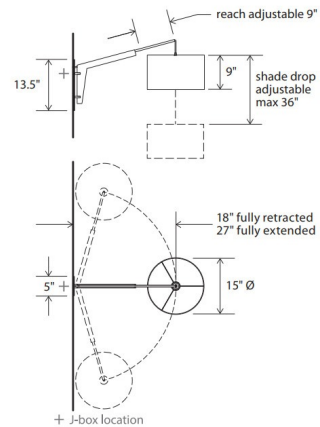


Description

The Talea Wall Light combines utility and elegance to create a piece that will make a unique statement, featuring a drum shade that swings down from a metal beam set into a wooden hinge. Available with a Brushed Aluminum or Textured Black Powdercoat finished backplate and beam, with a Walnut or Dark Stained Walnut hinge, and a White Linen, Black Amaretto, or Burlap shade. Made in the USA. UL and CUL listed. Prop 65.



Shown in brushed aluminum / dark stained walnut / black amaretto



Specifications

COLOR Black Amaretto
BODY FINISH Brushed Aluminum / Dark Stained Walnut
WATTAGE 43W
DIMMER Standard 120V
DIMENSIONS 15"W x 9"H x 13.5"D
BULB NOT INCLUDED 1 x A19/Medium (E26)/43W/120V Incandescent
OTHER BULB OPTIONS 1 x A19/Medium (E26)/120V LED
COUNTRY OF ORIGIN United States



CLICK TO VIEW PRODUCT

Notes: