

Lightology

lightology.com
866-954-4489
04-02-26

Project: _____

Company: _____

Location: _____ Fixture Type: _____

SPEC #: **CER752117**

Approved On: _____ Approved By: _____

Via LED Surface Mount

By Cerno

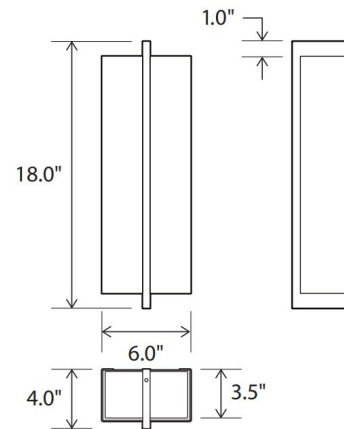


Description

The Via LED Surface Mount offers a sleek and sophisticated look that has an understated geometric nature to it, featuring a rectangular Frosted polymer diffuser bisected with a Wood panel. Can be mounted on wall or ceiling. Dimmable via Triac, ELV, or 0-10V dimming.



Shown in walnut / frosted



Specifications

COLOR Frosted
BODY FINISH Walnut
WATTAGE 7W
DIMMER Low Voltage Electronic
DIMENSIONS 6"W x 18"H x 4"D
INTEGRATED LED MODULE 1 x LED/7W/120V LED
COUNTRY OF ORIGIN United States

Technical Information

COLOR RENDERING 90 CRI
LAMP COLOR 2700K
LUMENS/WATT 71.43
LUMINOUS FLUX 500 lumens



CLICK TO VIEW PRODUCT

Notes: